

LIGHTING WAREHOUSE

Specification Sheet

Type: _____ Model: _____ Project: _____

MODEL: LW-SL1 | HARDSCAPE LIGHT

LIGHTING WAREHOUSE
EXCLUSIVE



DESCRIPTION

Professional-grade, low voltage surface-mounted fixture. Compact size fits 4" fence or deck posts. Also commonly applied on walls and other hardscape vertical surfaces. Mounting hardware is concealed in fixture providing a clean and handsome appearance. Solid brass construction. Lamp sold separately.

PRODUCT FEATURES

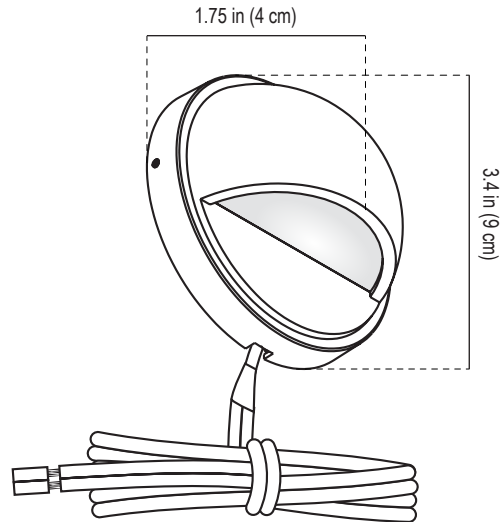
Material	Solid Cast Brass
Lamp Type	Low Voltage G4 Bi-Pin
Finish	Aged Brass Finish

SPECIFICATIONS

- **Body:** Brass fixture, aged brass finish
- **Brass Plate:** Brass base plate with adjustable mounting guides
- **Face Plate:** Solid brass face plate with (2) securing hex screws
- **Lens:** Polycarbonate frosted lens
- **Connectors:** (2) A-LOC waterproof wire connectors, (2) copper crimps included
- **Hardware:** (2) woodscrews for mounting plate, (2) hex screws for face plate, and allen wrench included
- **Wire Lead:** 60" wire lead pre-connected to the fixture, 16 awg (UL listed), black
- **Socket:** G4 Bi-Pin, spring-loaded, ceramic, with dual contacts
- **Warranty:** Lifetime warranty on fixture housing
- **Certifications:** Complies with the requirements of UL-1838 and CAN/CSA-C22.2 No. 250.7 Identified with the ETL and cETL listed mark

DIMENSIONS

Fixture Depth	1.75 in (4 cm)
Fixture Diameter	3.4 in (9 cm)
Ship Weight	1.61 lbs (25.76 oz)



ALLIANCE™
OUTDOOR LIGHTING