

# LIGHTING WAREHOUSE

## Specification Sheet

Type: \_\_\_\_\_ Model: \_\_\_\_\_ Project: \_\_\_\_\_

## MODEL: LW-GL180K | MR16 WELL LIGHT

LIGHTING WAREHOUSE  
**EXCLUSIVE**



### DESCRIPTION

Professional-grade low voltage in-ground fixture. Installs in-ground at grade level for concealed appearance. Model offers ground washing lighting effect directionally in a 180 degree pattern. Place along walkways, patios and/or driveways to wash adjacent surfaces with light as an alternative to traditional pathlights. Suitable for installation in landscape or hardscape areas. Avoid placing directly in areas where pedestrian or vehicular equipment can directly contact fixture. Lamp sold separately.

### PRODUCT FEATURES

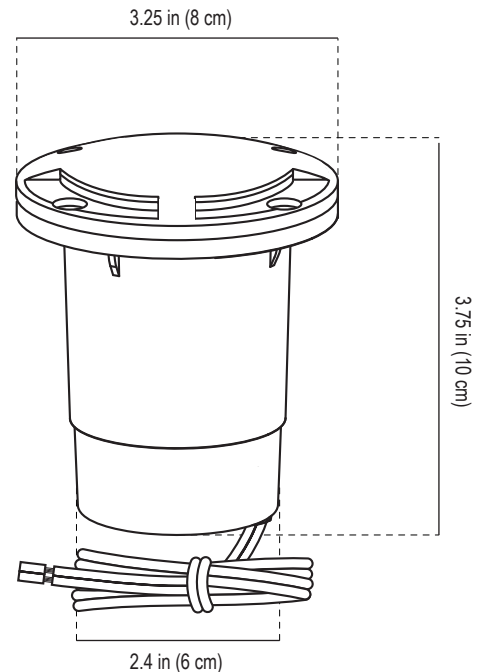
Material	Solid Cast Brass Body & Lid
Lamp Type	Low Voltage MR16
Finish	Aged Brass Finish

### SPECIFICATIONS

- **Lid:** 180° output cast brass, attached with 4 color matched stainless steel screws
- **Lens:** Clear flat glass lens
- **Base:** Solid brass fixture base with two rubber gasket seals
- **Connectors:** (2) A-LOC waterproof wire connectors, (2) copper crimps included
- **Wire Lead:** 36" wire lead pre-connected to the fixture, 16 awg (UL listed), black
- **Socket:** Spring-loaded ceramic bi-pin MR16, with dual contacts and lamp clips
- **Warranty:** Lifetime warranty on fixture housing
- **Certifications:** Complies with the requirements of UL-1838 and CAN/CSA-C22.2 No. 250.7 Identified with the ETL and cETL listed mark

### DIMENSIONS

Lid Diameter	3.25 in (8 cm)
Fixture Height	3.75 in (10 cm)
Base Diameter	2.4 in (6 cm)
Sleeve Height	6.875 in (17 cm)
Ship Weight	2.88 lbs (46.08 oz)



**ALLIANCE**<sup>TM</sup>  
OUTDOOR LIGHTING